

FRONT 2,5-V/SA 5

Order No.: 1700037



<http://eshop.phoenixcontact.de/phoenix/treeViewClick.do?UID=1700037>

Printed circuit terminal block, nominal current: 24 A, rated voltage: 250 V, pitch: 5.0 mm, no. of positions: 1, mounting: Soldering, type of connection: Screw connection, connection direction from the conductor to the PCB: 90°

Commercial data	
EAN	4017918022723
Pack	50 Pcs.
Customs tariff	85369010
Weight/Piece	0.00358 KG
Catalog page information	Page 113 (CC-2007)

Product notes

WEEE/RoHS-compliant since:
03/03/2005



<http://www.download.phoenixcontact.com>
Please note that the data given here has been taken from the online catalog. For comprehensive information and data, please refer to the user documentation. The General Terms and Conditions of Use apply to Internet downloads.

Technical data

Dimensions / positions

Pitch	5 mm
Number of positions	1
Pin dimensions	0,8 x 0,8 mm

Pin spacing	5 mm
Hole diameter	1.2 mm
Screw thread	M 2,5
Tightening torque, min	0.4 Nm

Technical data

Insulating material group	I
Rated surge voltage (III/3)	4 kV
Rated surge voltage (III/2)	4 kV
Rated surge voltage (II/2)	4 kV
Rated voltage (III/2)	320 V
Rated voltage (II/2)	630 V
Connection in acc. with standard	EN-VDE
Nominal current I_N	24 A
Nominal voltage U_N	250 V
Nominal cross section	2.5 mm ²
Maximum load current	17.5 A (with 2.5 mm ² conductor cross section)
Insulating material	PA
Inflammability class acc. to UL 94	V0
Internal cylindrical gage	A3
Stripping length	9 mm

Connection data

Conductor cross section solid min.	0.2 mm ²
Conductor cross section solid max.	2.5 mm ²
Conductor cross section stranded min.	0.2 mm ²
Conductor cross section stranded max.	2.5 mm ²
Conductor cross section stranded, with ferrule without plastic sleeve min.	0.25 mm ²
Conductor cross section stranded, with ferrule without plastic sleeve max.	1.5 mm ²
Conductor cross section stranded, with ferrule with plastic sleeve min.	0.25 mm ²
Conductor cross section stranded, with ferrule with plastic sleeve max.	1.5 mm ²
Conductor cross section AWG/kcmil min.	24
Conductor cross section AWG/kcmil max	14

2 conductors with same cross section, solid min.	0.2 mm ²
2 conductors with same cross section, solid max.	0.75 mm ²
2 conductors with same cross section, stranded min.	0.2 mm ²
2 conductors with same cross section, stranded max.	0.75 mm ²
2 conductors with same cross section, stranded, ferrules without plastic sleeve, min.	0.25 mm ²
2 conductors with same cross section, stranded, ferrules without plastic sleeve, max.	0.34 mm ²

Certificates / Approvals

Approval logo



CSA

Nominal voltage U_N	300 V
Nominal current I_N	10 A
AWG/kcmil	24-12

CUL

Nominal voltage U_N	300 V
Nominal current I_N	10 A
AWG/kcmil	30-12

UL

Nominal voltage U_N	300 V
Nominal current I_N	10 A
AWG/kcmil	30-12
Certification	CSA, CUL, GL, GOST, RS, UL

Accessories

Item	Designation	Description
------	-------------	-------------

Assembly

1700011	D-FRONT 2,5-V-O.Z.	End cover, necessary at the end of a terminal row, 2.5 mm thick, color: green
---------	--------------------	---

1700082	RZ 2,5-FRONT 2,5 V	Pitch spacer, raises the pitch by 2.5 mm, interlocks with terminal block of the same shape, color: green
---------	--------------------	--

General

1733169	EBP 2- 5	Insertion bridge, fully insulated, for plug connectors with 5.0 or 5.08 mm pitch, no. of positions: 2
---------	----------	---

Marking

0804183	SK 5/3,8:FORTL.ZAHLEN	Marker card, printed horizontally, self-adhesive, 12 identical decades marked 1-10, 11-20 etc. up to 91-(99)100, sufficient for 120 terminal blocks
---------	-----------------------	---

Tools

1205053	SZS 0,6X3,5	Screwdriver, bladed, matches all screw terminal blocks up to 4.0 mm ² connection cross section, blade: 0.6 x 3.5 mm, without VDE approval
---------	-------------	--

Additional products

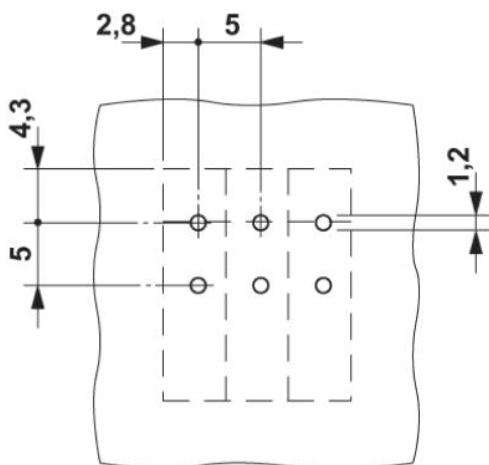
Item	Designation	Description
------	-------------	-------------

Assembly

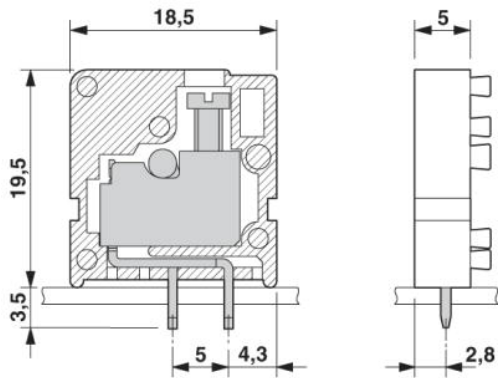
1700011	D-FRONT 2,5-V-O.Z.	End cover, necessary at the end of a terminal row, 2.5 mm thick, color: green
---------	--------------------	---

Drawings

Drilling diagram



Dimensioned drawing



Address

PHOENIX CONTACT GmbH & Co. KG
Flachmarktstr. 8
32825 Blomberg, Germany
Phone +49 5235 3 00
Fax +49 5235 3 41200
<http://www.phoenixcontact.de>



© 2008 Phoenix Contact
Technical modifications reserved;